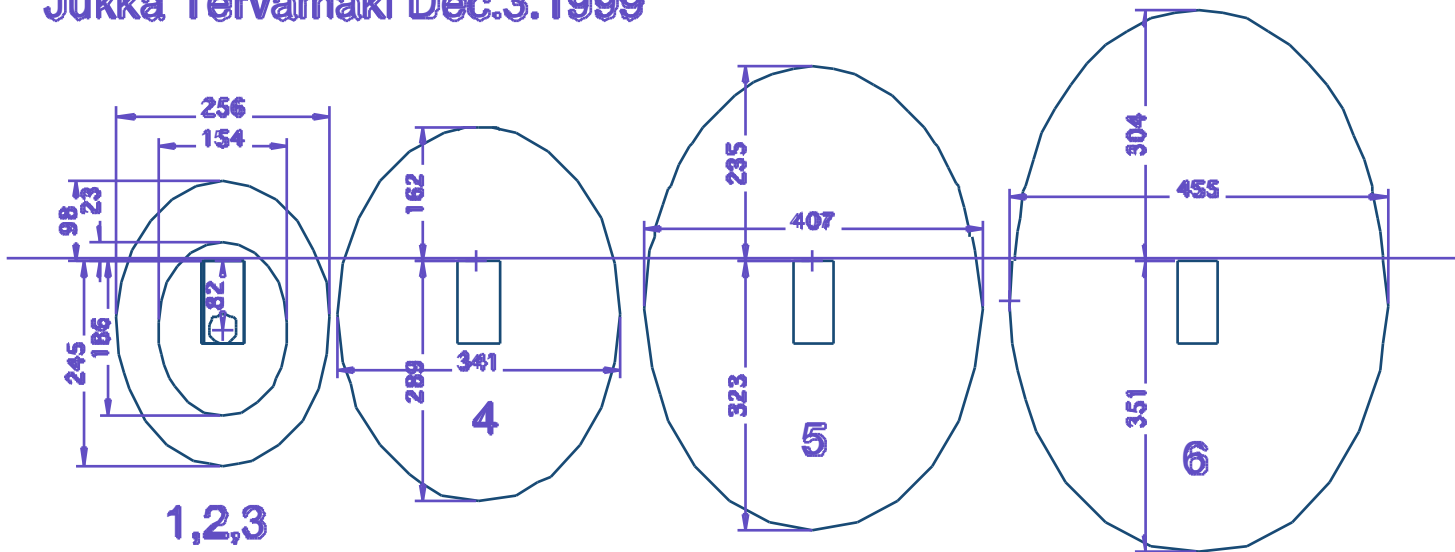


JT-5B Autogyro Cockpit and Canopy Cross Sections

Jukka Tervamäki Dec.3.1999



Sections are perpendicular to the canopy edge in 100 mm steps. A wooden plank of 50x100 mm (2x4 inches) is shown inside to fix sections made of plywood.

